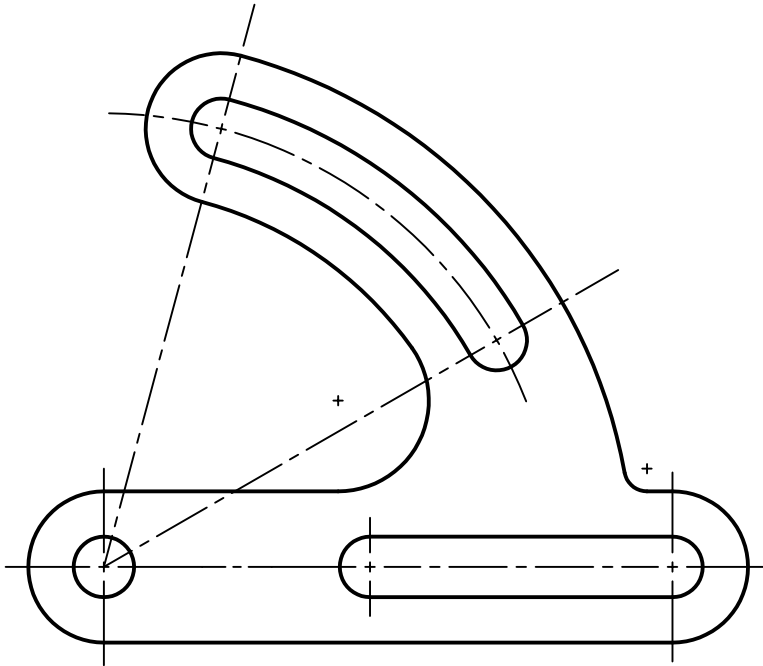
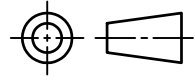


The following figures are one-view drawing of the objects having uniform thickness. Make measurements from the figures and complete the dimensions.

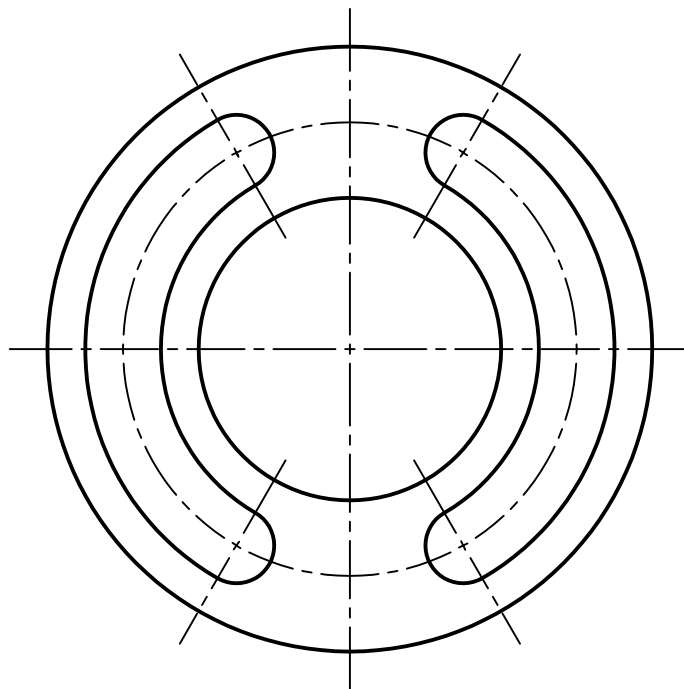
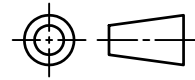
(a)



3 Thick

SCALE 1:1

(b)



4 Thick

SCALE 1:1